

IRB 1400

Industrial Robot

Your best performer

The IRB 1400 gives you fast and reliable work cycles that boost productivity. The robot is well-proven in arc welding, material handling and process applications, with a total of 10,000 installations since 1992. It delivers plenty of performance for the money, ensuring short payback times.

The handling capacity is 5 kg, plus a unique 18 kg supplementary load on the upper arm. Superior levels of control and path-following accuracy provide excellent work quality. The ability to adjust process speed and position means you achieve optimum manufacturing accuracy with little or no rejects.

IRB 1400 is known for its stiff and robust construction. This translates into low noise levels, long intervals between routine maintenance and long service life. The robot has a large working area and long reach. The compact design, very slim wrist and high performance operation even in difficult and restricted locations.



Main Applications

- Arc welding
- Assembly
- Glueing/Sealing
- Machine tending
- Material handling



IRB 1400 Industrial Robot

Technical Data

Specification

| | | |
|--------------------------|---------------------------------------|-----------------------------|
| Robot | Handling capacity 5 kg | Reach of 5th axis 1.44 m |
| Supplementary load | on axis 3 on axis 1 | 18 kg 19 kg |
| Number of axes | Robot manipulator External devices | 6 6 |
| Integrated signal supply | 12 signals on upper arm | |
| Integrated air supply | Max. 8 bar on upper arm | |

Performance

| | | |
|-------------------------------|--|--|
| Position repeatability | 0.05 mm (average result from ISO test) | |
| Movements | IRB 1400 | |
| Max. TCP velocity | 2.1 m/s | |
| Continuous rotation of axis 6 | | |

Electrical Connections

| | | |
|------------------------------------|----------------------------------|--|
| Supply voltage | 200–600 V, 50/60 Hz | |
| Rated power, Transformer rating | 4 kVA/7.8 kVA with external axes | |

Physical

| | | |
|----------------------|--|--|
| Robot mounting | Floor | |
| Dimensions | Robot base 620 x 450 mm | |
| Weight | Robot 225 kg | |
| Environment | | |
| Ambient temperature | Robot unit 5 – 45°C | |
| Relative humidity | Max. 95% | |
| Degree of protection | Class D (dry) for welding, machining etc. | |
| Noise level | Max. 70 dB (A) | |
| Emmission | EMC/EMI-shielded | |

Data and dimensions may be changed without notice.

Working range and load diagram

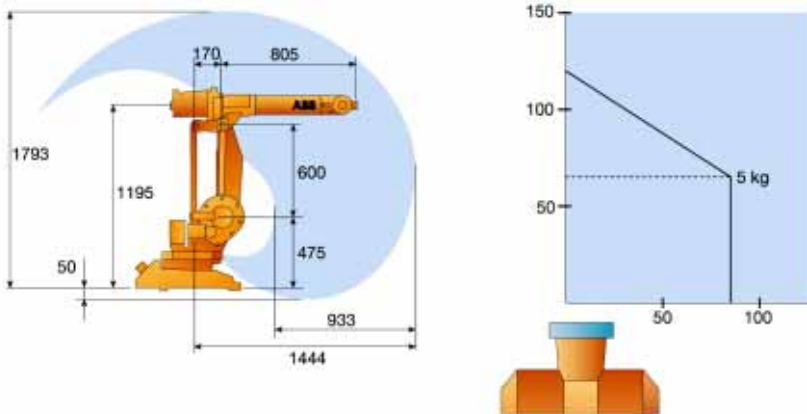


ABB Limited
Plot Nos. 5 & 6, II Phase, Peenya Industrial Area
Bangalore 560 058
Tel: +91-80-2294 9507 – 08
Fax: +91-80-2839 6537

www.abb.co.in